

# Cambridge Secondary 1 Progression Test

## Student answer sheet

Cambridge  
Secondary 1

approx. 15 minutes

# Mathematics Paper 3

## Stage 8

Name .....

No additional materials are allowed.

Calculators are **not** allowed.

Half a mark will be awarded for each question answered correctly.

The total number of marks is 10.

For Teacher's Use	
Total	

Write your answers here.

**Time: 5 seconds**

<b>1</b>	5 =	
----------	-----	--

<b>2</b>	$10 = 3x + 7$ is			
	<table style="width: 100%; border: none;"> <tr> <td style="width: 50%; border: none;">a function</td> <td style="width: 50%; border: none;">an equation</td> </tr> <tr> <td style="border: none;">an expression</td> <td style="border: none;">a term</td> </tr> </table>		a function	an equation
a function	an equation			
an expression	a term			

<b>3</b>	3, 7, 11, ....., 19, .....,	
----------	-----------------------------	--

<b>4</b>	and	
----------	-----	--

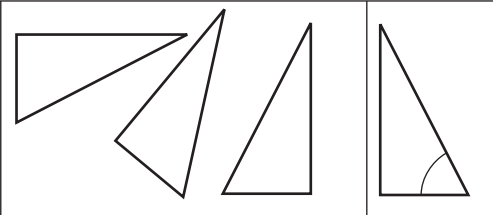
<b>5</b>		
----------	--	--

<b>6</b>		
----------	--	--

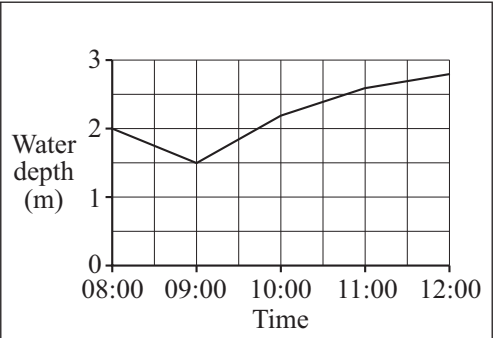
<b>7</b>		
----------	--	--

Write your answers here.

**Time: 10 seconds**

<b>8</b>		
----------	--	--

<b>9</b>	cents	60c	
----------	-------	-----	--

<b>10</b>		

<b>11</b>	<table style="width: 100%; border: none;"> <tr> <td style="width: 33%; text-align: center;"><math>0.76</math></td> <td style="width: 33%; text-align: center;"><math>\frac{4}{5}</math></td> <td style="width: 33%; text-align: center;"><math>\frac{3}{4}</math></td> </tr> <tr> <td style="border: none;">.....</td> <td style="border: none;">.....</td> <td style="border: none;">.....</td> </tr> <tr> <td style="border: none;">smallest</td> <td style="border: none;"></td> <td style="border: none;">largest</td> </tr> </table>	$0.76$	$\frac{4}{5}$	$\frac{3}{4}$	.....	.....	.....	smallest		largest	
	$0.76$	$\frac{4}{5}$	$\frac{3}{4}$								
.....	.....	.....									
smallest		largest									

<b>12</b>		$2x(3x - 4y)$	
-----------	--	---------------	--

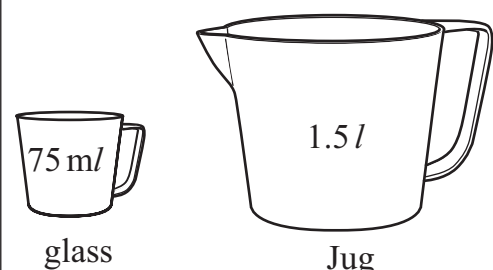
Write your answers here.

**Time: 15 seconds**

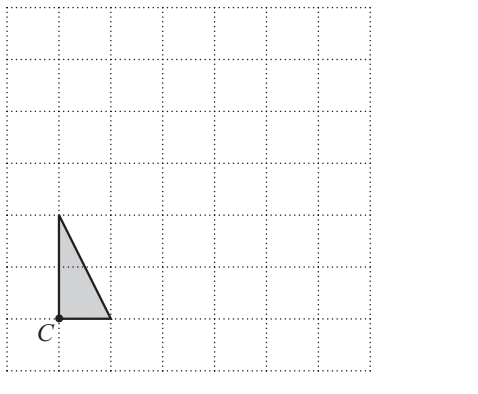
<b>13</b>		260	
-----------	--	-----	--

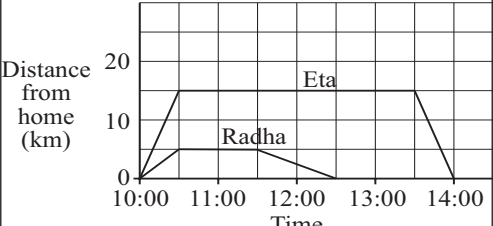
<b>14</b>		miles	
-----------	--	-------	--

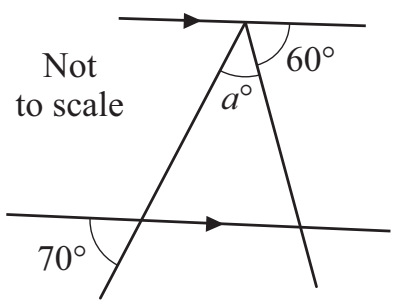
<b>15</b>		26 29 33 45	
-----------	--	-------------	--

<b>18</b>		

<b>19</b>		1, 3, 5, 7, 9, ...	
-----------	--	--------------------	--

<b>16</b>		

<b>20</b>		

<b>17</b>	<p>Not to scale</p> 	
	<p><math>a =</math></p>	

**BLANK PAGE**

---

Permission to reproduce items where third-party owned material protected by copyright is included has been sought and cleared where possible. Every reasonable effort has been made by the publisher (UCLES) to trace copyright holders, but if any items requiring clearance have unwittingly been included, the publisher will be pleased to make amends at the earliest possible opportunity.

Cambridge International Examinations is part of the Cambridge Assessment Group. Cambridge Assessment is the brand name of University of Cambridge Local Examinations Syndicate (UCLES), which is itself a department of the University of Cambridge.