



Cambridge Lower Secondary Progression Test

Mathematics paper 3 learner answer sheet

Stage 9



approx. 15 minutes

Name

No additional materials are allowed.

READ THESE INSTRUCTIONS FIRST

Answer **all** questions in the spaces provided.

Calculators are **not** allowed.

Each question is worth 1 mark.

The total number of marks is 20.

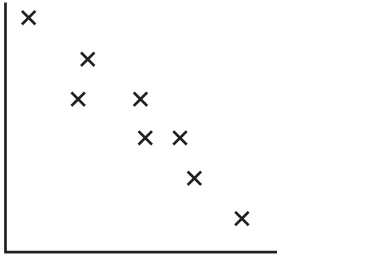
For Teacher's Use	
Total	

Time: 5 seconds

1

2 Square Triangle
Hexagon Pentagon

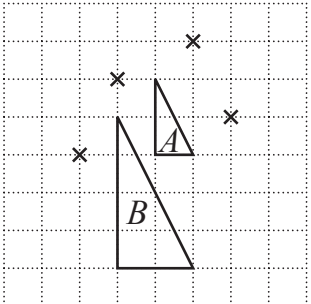
3 $x \rightarrow \dots\dots\dots$ $x \rightarrow x + 3$

4 

5

Time: 10 seconds

6 3, 4, 6, 9, 13, ...

7 

8

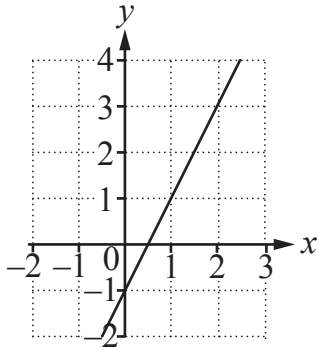
Asia	Europe	Africa	Total
122	49	29	200

9 $x = \dots\dots\dots$

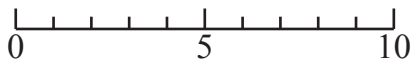
10

11 $p = \frac{1}{2}t^2$

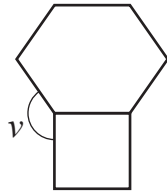
Time: 15 seconds

12		<input type="text"/>
$y = \dots\dots x - 1$		<input type="text"/>

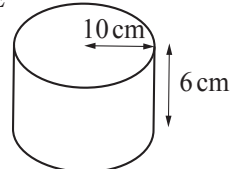
13	$240 \times 0.32 = 76.8$	<input type="text"/>
-----------	--------------------------	----------------------

14	$2x < 8$	<input type="text"/>
		<input type="text"/>

15 m ³	cement : sand 1 : 5	<input type="text"/>
-----------	----------------------	------------------------	----------------------

16	NOT TO SCALE		<input type="text"/>
..... °			<input type="text"/>

17 °	12 adults 48 children	<input type="text"/>
-----------	---------	--------------------------	----------------------

18	NOT TO SCALE		<input type="text"/>
360 cm ³ 1800 cm ³		180 cm ³ 3600 cm ³	
			<input type="text"/>

19		$\frac{4^6 \times 4^5}{4^8}$	<input type="text"/>
-----------	--	------------------------------	----------------------

20 cm ³	1.25 m ³	<input type="text"/>
-----------	-----------------------	---------------------	----------------------

